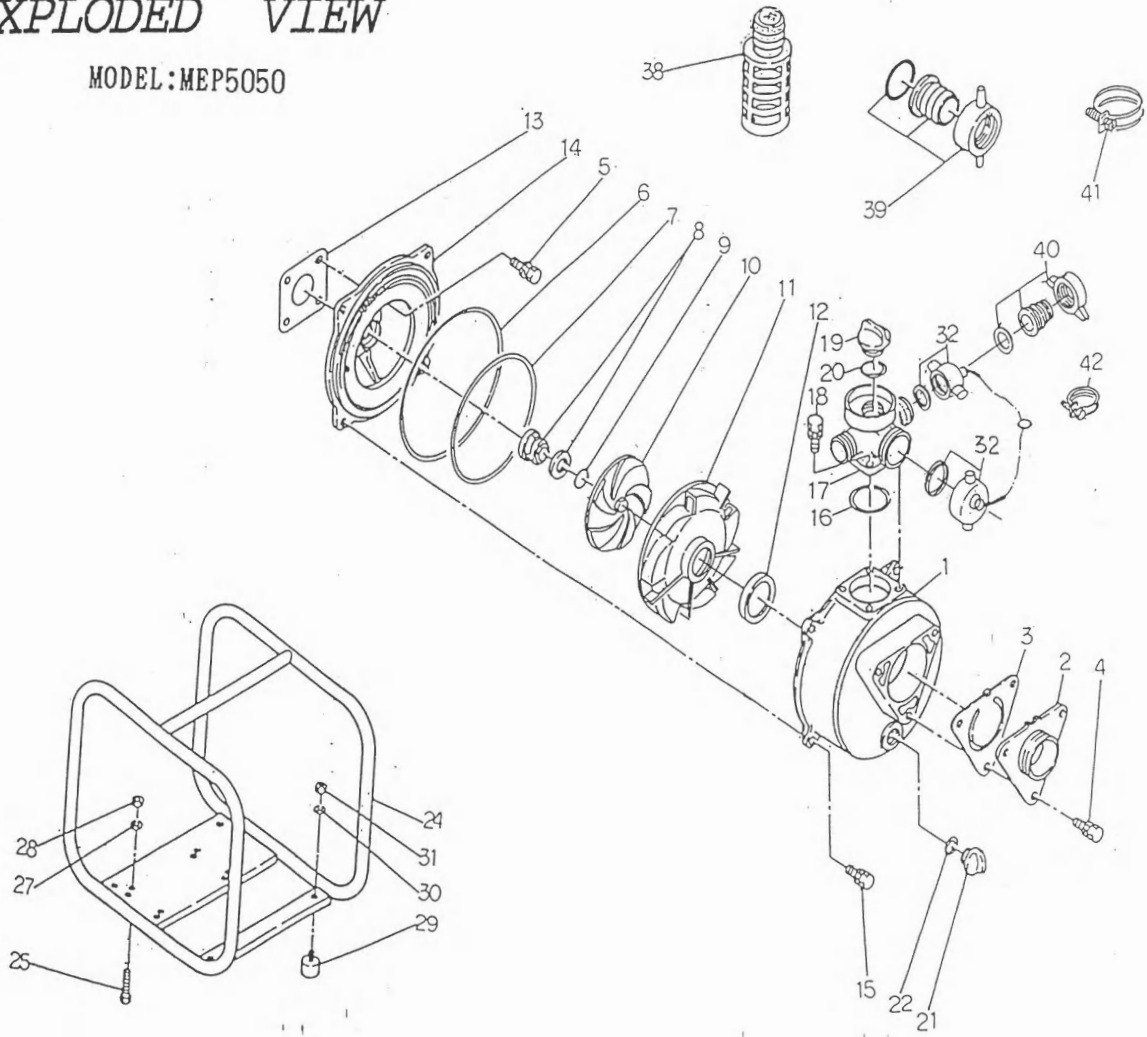


# EXPLODED VIEW

MODEL: MEP5050



## MEP-5050S

REF.	CODE NO.	NAME	QTY
1	1737-100010	CASING	1
2	4704-060160	SUCTION COVER	1
3	1293-350350	CHECK VALVE	1
4	018105-0820	BOLT W/S.W.	3
5	018105-0820	BOLT W/S.W.	4
6	048924-2100	O-RING, CASING	1
7	048924-1780	O-RING, V. CASING	1
8	080811-2320	MECHANICAL SEAL	1
9	085283-2018	ADJUST LINER t 0.3	1-3
	085285-2018	ADJUST LINER t 0.5	1-3
10	4243-060030	IMPELLER	1
11	1737-060130	VOLUTE CASING	1
12	1293-330620	PACKING, V. CASING	1
13	1201-390610	PACKING, C. COVER	1
14	9258-100020	CASING COVER	1
15	018105-0825	BOLT W/S.W.	4
16	048131-0550	O-RING, D. ELBOW	1
17	1739-000090	THREE WAY-OUTLET	1
18	018105-0820	BOLT W/S.W.	4
19	063121-1100	FLOODING CAP	1
20	048035-0300	O-RING, F. CAP	1
21	063121-1060	DRAIN CAP	1
22	048024-0220	O-RING, D. CAP	1
24	9280-214010	BASE	1
25	010505-0840	BOLT	4
27	045125-0080	SPRING WASHER	4
28	020545-0080	NUT	4
29	072332-3030	CUSHION RUBBER	4
30	045125-0060	SPRING WASHER	4
31	020545-0060	NUT	4
32	1814-209660	BALL CHAIN ASS'Y	1
38	074239-1040	STRAINER	1
39	074111-8040	HOSE COUPLING SET 1.5"	2
40	074111-9025	HOSE COUPLING SET 1"	2
41	093225-1120	WIRE HOSE BAND 1.5"	2
42	093225-1000	WIRE HOSE BAND 1"	2